

DOCUMENT NO. DN121121-12	TITLE SPECIFICATION FOR APPROVAL	PAGE 1/3
Model & Spec: KW3A-16Z4-A200	產品規格書	DONGNAN

1 General

- 1.1 Application This specification is applied to KW3A Micro Switch used for electronic equipment.
- 1.2 Operating temperature range -40°C to +105°C
- 1.3 Test conditions Unless otherwise specified. The atmospheric conditions for making measurements and tests are as follows
- Ambient temperature: 15~35°C
- Relative humidity: 45~85%
- Air pressure: 86~106kPa (860~1060 mbar)
- Should any doubt arise in judgment. tests shall be conducted at the following conditions.
- Ambient temperature: 20±2°C
- Relative humidity: 60~70%
- Air pressure: 86~106kPa (860~1060 mbar)

2 Appearance construction and dimensions

- 2.1 Appearance Switch shall have good finishing, and no rust crack or plating failures.
- 2.2 Construction and dimensions Refer to individual product drawing.

3 Ratings

16A125VAC T105 16GPA 125/250VAC 16(4)A 125/250VAC 10A 30VDC 1/3hp 125VAC 5E4 40T105 50-60Hz(UL CUL)
16(4)A250VAC 5E4 10T105(VDE CQC FIMKO NEMKO SEMKO CE EK)
16(4)A 125/250VAC 10A 30VDC 5E4 40T105 50-60Hz(DEMKO ENEC CB)

4 Electrical specifications

NO.	Items	Test conditions	Criteria
4.1	Contact resistance	Shall be measured at 1A,5V DC by voltage drop method after some operations without load. Applied position: Between terminal and terminal	50mΩ MAX
4.2	Insulation resistance	Test voltage:500VDC, measured after 1 min ±5s Applied position: 1)Between terminal and terminal 2)Between terminal and ground	100MΩ MIN
4.3	Voltage proof	Following test voltages shall be applied for 1 min. (Cut-off current:0.5mA) 1)Between terminal and terminal :1000VAC (50~60Hz) 2)Between terminal and ground: 2000V AC(50~60Hz)	No dielectric breakdown shall occur

REVISION			
YUEQING DONGNAN ELECTRONICS CO.,LTD		WRITTEN BY 陈丹琼 20121121	CHECKED BY 柴国旗 20121121
		APPROVED BY 江小林 20121121	

DOCUMENT NO. DN121121-12	TITLE SPECIFICATION FOR APPROVAL	PAGE 2/3
Model & Spec: KW3A-16Z4-A200	產品規格書	DONGNAN

5 Mechanical specifications

NO.	Item	Test conditions	Criteria
5.1 Operating character- istic	5.1.1 Operating force (OF)	The force which moves the actuating part from the free position to the actuating position and reverses the live contact from the actuating part	2.2N MAX
	5.1.2 Release force (RF)	The force which is required to reverse the live contact from the actuating part	0.4N MIN
	5.1.3 Pre Travel (PT)	The distance for the actuating part to travel from the free position to the actuating position	1.4mm MAX
	5.1.4 Movement Differential (MD)	The distance for the actuating part to travel from the actuating position to the returning position	0.4mm MAX
	5.1.5 Over Travel (OT)	The distance for the actuating part to travel from the actuating position to the actuating limit position	1mm MIN
	5.1.6 Operating Position (OP)	After the force is placed on the actuating part the live contact from the free position state to reversing position	21.4±0.6mm
5.2	Actuator strength	It shall satisfy following condition when a thrust load of the specified to the operating direction vertically for 1 minutes	10N
5.3	Terminal strength	Insert and pull out	25N
5.4	Vibration	Switch shall be secured to a lasting machine by a normal mounting device and method switch shall be measured after following test. 1) Vibration frequency range: 10-55Hz 2) Total amplitude: 1.5mm 3) Sweep ratio: 10-55-10Hz Approx: 1min 4) Method of changing the sweep vibration frequency: Logarithmic or linear 5) Direction of vibration: Three perpendicular directions including actuator. 6) Duration: 2 h each (6 h in total)	Contact resistance(item 4.1): 100mΩ MAX Insulation resistance (item 4.2): 50MΩ MIN Voltage proof: (item 4.3) No dielectric breakdown shall occur. Operating characteristic (item 5.1): Operating characteristic variety Within ±10% of specified value . Shall be free from mechanical abnormalities.
5.5	Shock	Switch shall be measured after following test at the condition of releasing self-lock. 1) Mounting method: Normal mounting method 2) Acceleration: 30g 3) Duration: 11ms 4) Test direction: 6 directions 5) Number of shocks:3 times per direction (18times in total)	

REVISION	

YUEQING DONGNAN ELECTRONICS CO.,LTD	WRITTEN BY	CHECKED BY	APPROVED BY
	陈丹琼 20121121	柴国旗 20121121	江小林 20121121

DOCUMENT NO. DN121121-12	TITLE SPECIFICATION FOR APPROVAL	PAGE 3/3
Model & Spec: KW3A-16Z4-A200	產品規格書	DONGNAN

6 Durability

NO.	Item	Test conditions	Criteria
6.1	Cold	After testing at $-40\pm 2^{\circ}\text{C}$ for 96 h, the switch shall be allowed to stand under normal room temperature and humidity condition for 1h, and then measurement shall be made within 1 h. water drops shall be removed.	Contact resistance(item 4.1): 100mΩ MAX Insulation resistance (item 4.2): 50MΩ MIN
6.2	Dry heat	After testing at $105\pm 2^{\circ}\text{C}$ for 96 h, the switch shall be allowed to stand under normal room temperature and humidity condition for 1h, and then measurement shall be made within 1 h.	Voltage proof: (item 4.3) No dielectric breakdown shall occur. Operating characteristic (item 5.1):
6.3	Damp heat	After testing at $40\pm 2^{\circ}\text{C}$ and 90-95%RH for 96 h, the switch shall be allowed to stand under normal room temperature and humidity condition for 1h, and then measurement shall be made within 1 h. water drops shall be removed.	Operating characteristic variety Within $\pm 10\%$ of specified value . No abnormalities shall be recognized in appearance and construction.
6.4	Change of temperature	After 20 cycles of following conditions the switch shall be allowed to stand under normal room temperature and humidity condition for 1h, and then measurement shall be made within 1 h. water drops shall be removed.	
6.5	Salt mist	Switch shall be checked after following lest. 1) Temperature: $35\pm 2^{\circ}\text{C}$ 2) Salt solution: $5\pm 1\%$ (solids by mass) 3) Duration: $24\pm 1\text{h}$ After test, salt deposit shall be removed in running water	No remarkable corrosion shall be recognized in metal part

7 Durability

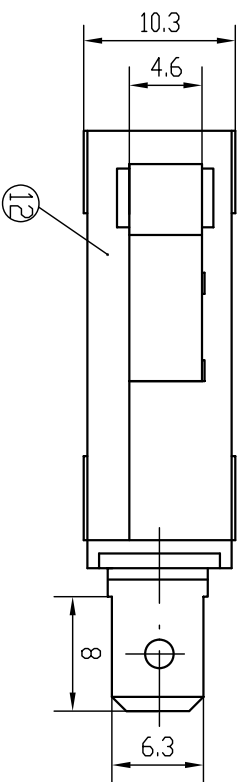
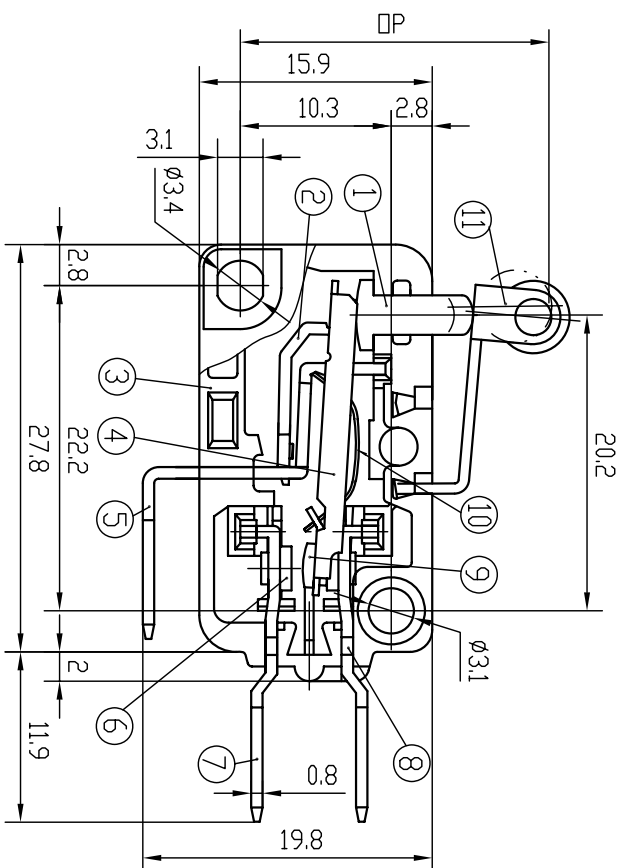
NO.	Item	Test condition	Criteria																		
7.1	Endurance (According to UL61058)	1/3hp 125VAC Switch shall be operated according to following sequence (Test1~Test2) <table border="1" data-bbox="432 1088 1042 1285"> <thead> <tr> <th></th> <th>Voltage</th> <th>Current</th> <th>Power factor</th> <th>Operation rate</th> <th>Number of operation</th> </tr> </thead> <tbody> <tr> <td>Test1</td> <td>125V</td> <td>43.2A</td> <td>0.4-0.5</td> <td>6-10 cycles/min</td> <td>50cycles</td> </tr> <tr> <td>Test2</td> <td>125V</td> <td>7.2A</td> <td>0.75-0.8</td> <td>6-10 cycles/min</td> <td>50000cycles</td> </tr> </tbody> </table> Voltage proof(Cut-off current:0.5mA) Test voltages shall be applied for 5s 16GPA 125/250VAC; 10A 30VDC Switch shall be operated 50,000 cycles at 15~20 cycles/min Voltage proof(Cut-off current:0.5mA) Test voltages shall be applied for 5s.		Voltage	Current	Power factor	Operation rate	Number of operation	Test1	125V	43.2A	0.4-0.5	6-10 cycles/min	50cycles	Test2	125V	7.2A	0.75-0.8	6-10 cycles/min	50000cycles	Insulation resistance(item 4.2): 50MΩ MIN Voltage proof: Terminal and ground:1000VAC No dielectric breakdown shall occur. Operating characteristic (item 5.1): Operating characteristic variety Within $\pm 20\%$ of specified value . 6000cycles, Temperature rise: 30°C MAX 50000cycles, Temperature rise: 55°C MAX No abnormalities shall be recognized in appearance and construction
	Voltage	Current	Power factor	Operation rate	Number of operation																
Test1	125V	43.2A	0.4-0.5	6-10 cycles/min	50cycles																
Test2	125V	7.2A	0.75-0.8	6-10 cycles/min	50000cycles																
7.2	Endurance (According to EN61058-1 /IEC61058-1)	16GPA 125/250VAC 10A 30VDC Switch shall be operated 50,000 cycles at 15~20 cycles/min Voltage proof(Cut-off current:0.5mA) Test voltages shall be applied for 5s.	Insulation resistance(item 4.2): 50MΩ MIN Voltage proof: Terminal and terminal:750VAC Terminal and ground:1500VAC No dielectric breakdown shall occur. Operating characteristic (item 5.1): Operating characteristic variety Within $\pm 20\%$ of specified value . Temperature rise: 55°C MAX No abnormalities shall be recognized in appearance and construction																		

REVISION	

YUEQING DONGNAN ELECTRONICS CO.,LTD	WRITTEN BY	CHECKED BY	APPROVED BY
	陈丹琼 20121121	柴国旗 20121121	江小林 20121121

1. Specifications 技术特性表

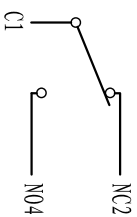
RATINGS 额定值	16(4)A250VAC 5E4 10T105
ELECTRONICAL LIFE 电气寿命	16(4)A 125/250VAC 16A125VAC T105
TEMPERATURE 温度等级	16GPA 125/250VAC 10A 30VDC 1/3hp 125VAC 5E4 40T105 50-60Hz
INSULATION STRENGTH 绝缘电阻	100MΩ MIN
TEST VOLTAGE 耐电压	AC1000V/2000V
CONTACT RESISTANCE 接触电阻	50mΩ MAX
OPERATING FORCE 动作力	2.2N MAX
RELEASE FORCE 释放力	0.4N MIN
OPERATING POSITION 动作位置	21.4 ± 0.6mm
MOVEMENT DIFFERENTIAL 差动行程	0.4mm MAX



2. Parts List 零件材质表

No.	Name 名称	Material 材料
1	BUTTON 开关子	Bakelite PF2A5-151 (j)b 黑色 电木粉
2	LEVER 杠杆	Brass alloy H62, Silver plated 黄铜, 镀银
3	CASE 基座	Plastic PBT4308 (灰色) 工程塑料
4	PLATE MOVING 可动片	Brass alloy H62, Silver plated 黄铜, 镀银
5	TERMINAL 支架	Brass alloy H65, Silver plated 黄铜, 镀银
6	CONTACT 静触点	AgNi10/Cu 银-镍/铜
7	TERMINAL 端子	Brass alloy H65, Silver plated 黄铜, 镀银
8	TERMINAL 端子	Brass alloy H65, Silver plated 黄铜, 镀银
9	CONTACT 动触点	AgNi10/Cu 银-镍/铜
10	SPRING 簧片	Beryllium alloy (Be2) 铍青铜
11	MOVING ARMS 动臂	Armor plate SPC(SD), Nickel plated 钢板, 镀镍
12	COVER 盖	Plastic PBT4308 (灰色) 工程塑料

SCHEMATIC DIAGRAM



3. Safety authentication 安全认证



DESIGN	陈丹琼 20130117	KW3A-16Z4-A200
CHECKED BY	柴国旗 20130117	
TECHNICS		AVY8 3.604.016-1351
EDITION	20130117	
STANDARDIZATION		DONGNAN ELECTRONICS
APPROVED BY	江小林 20130117	
PROJ		